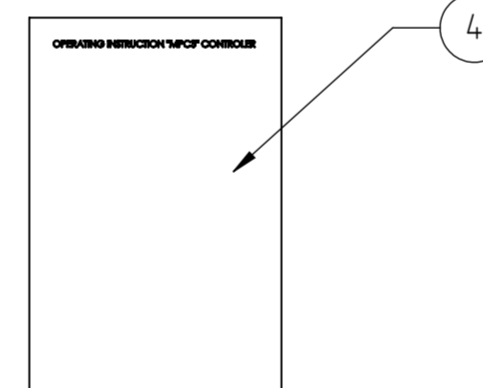
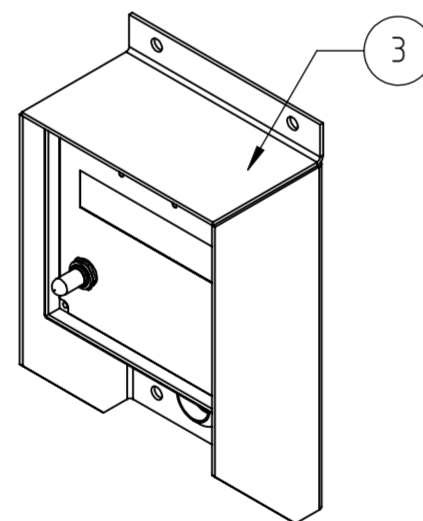
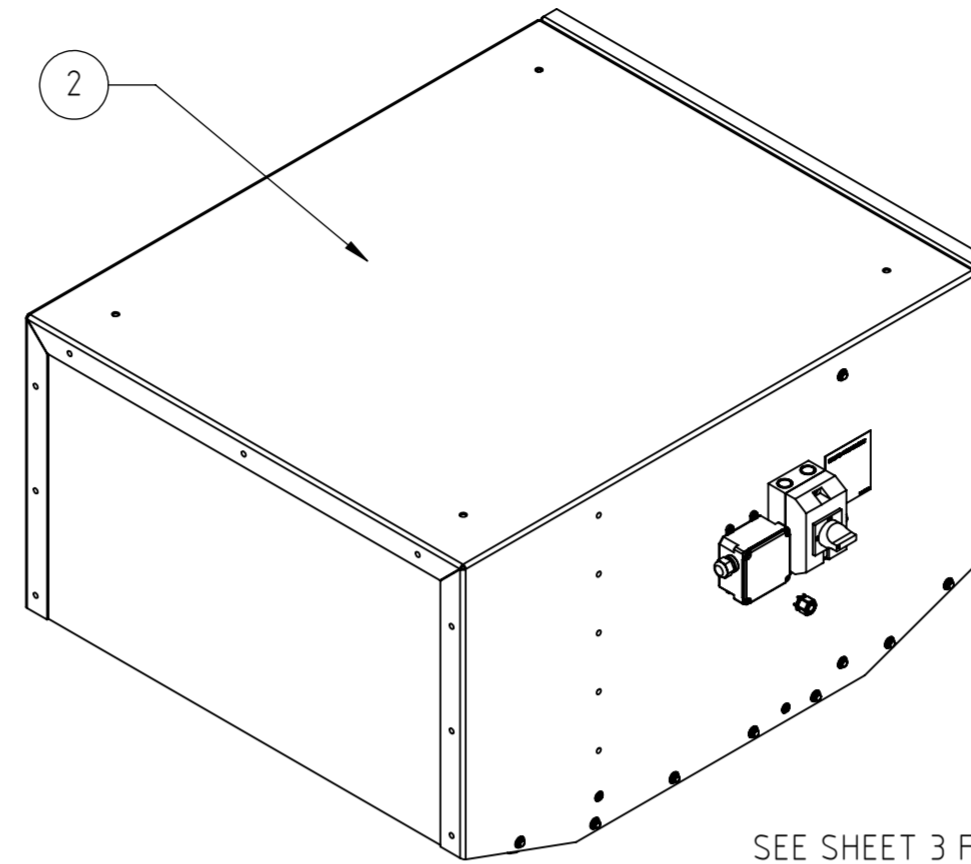
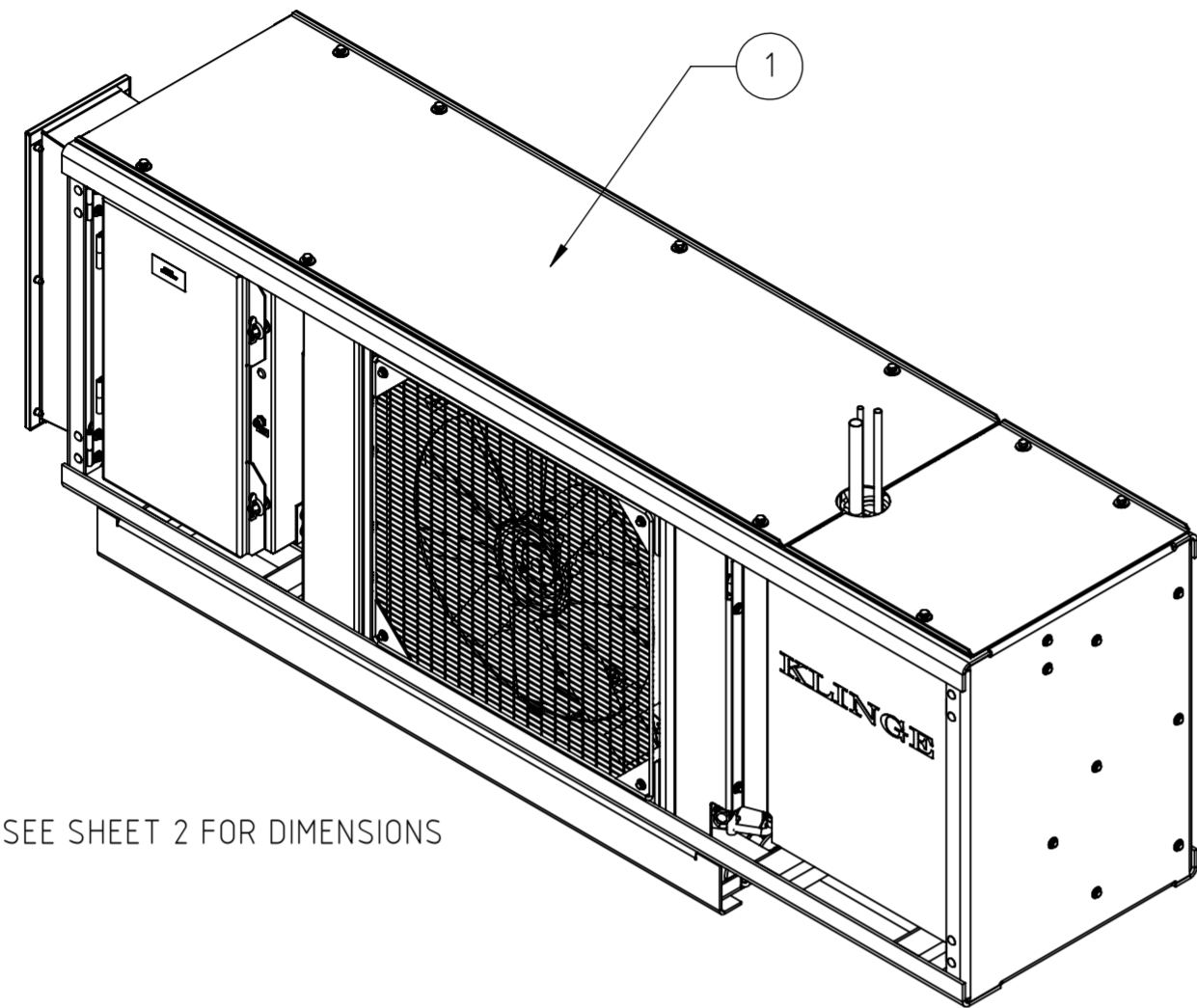


DRAWING NO.
460-16606-10

DO NOT SCALE

USED ON
N/A

REV	DATE	DESCRIPTION	DRAWN	APPROVED
A	11/15/2013	ADDED SHEETS 2 & 3, ADDED DIMENSIONS & WEIGHTS, CHANGES MADE PER ECN 13-286	DBG	RDG



ITEM NO	PART NO	DESCRIPTION	QTY	BULK QTY
4	K35-06467-00	LABEL OPER INSTRUCT MPC-3 (N6773.2038)	1	
3	360-16824-00	PANEL DISPLAY NMF-371	1	
2	360-16615-10	EVAPORATOR NMF-371 SPLIT SYSTEM	1	
1	360-16616-10	CONDENSER COMPLETE NMF-371-10S	1	

NOTES:
1. ALL DIMENSIONS ARE TO THE OUTSIDE EDGE
UNLESS OTHERWISE NOTED

ALL PROPRIETARY RIGHTS IN THE SUBJECT MATTER HEREOF ARE RESERVED, AND NO PERMISSION IS GRANTED TO REPRODUCE THIS PRINT, IN WHOLE OR IN PART, OR DISCLOSE ANY OF THE INFORMATION UPON IT TO OTHERS WITHOUT WRITTEN RELEASE BY KLINGE CORP.

MATERIAL NUMBER N/A
DESCR N/A

DIMENSIONS ARE IN MM [INCHES]
TOLERANCES (UNLESS OTHERWISE INDICATED)

LINEAR
X. = +/- 1.0 [OR +/- .040]
X.X = +/- 0.5 [OR +/- .020]

ANGULAR
X. = +/- 2°
X.X = +/- 0.5°



NAME DATE
DRAWN N BOWERS 9/19/13
APPROVED R GAMBER 9/19/13

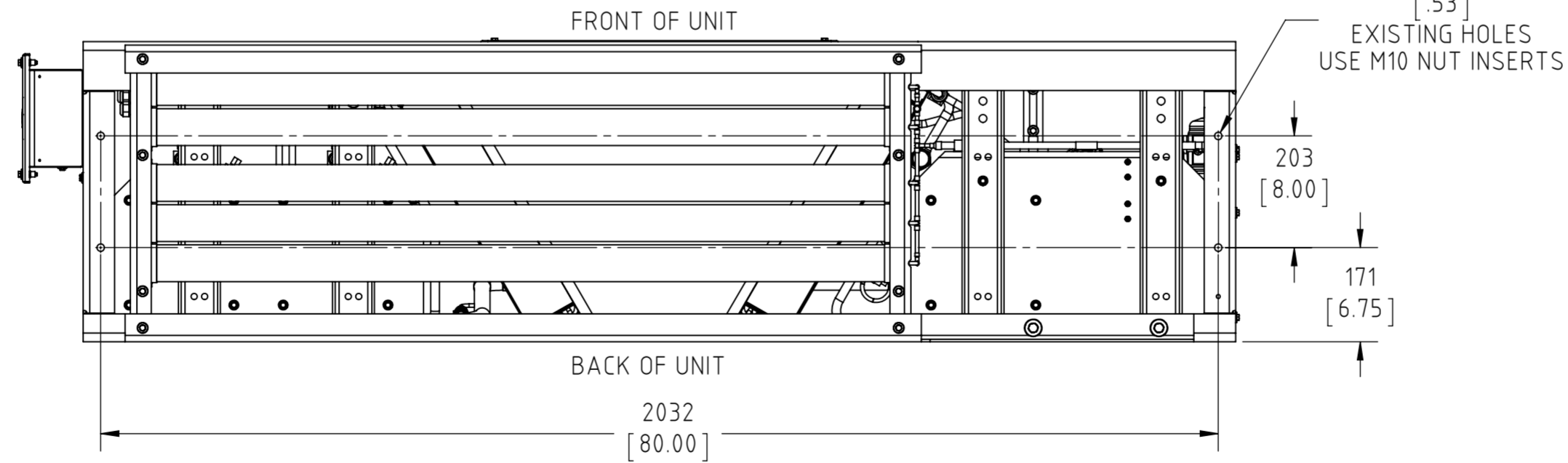
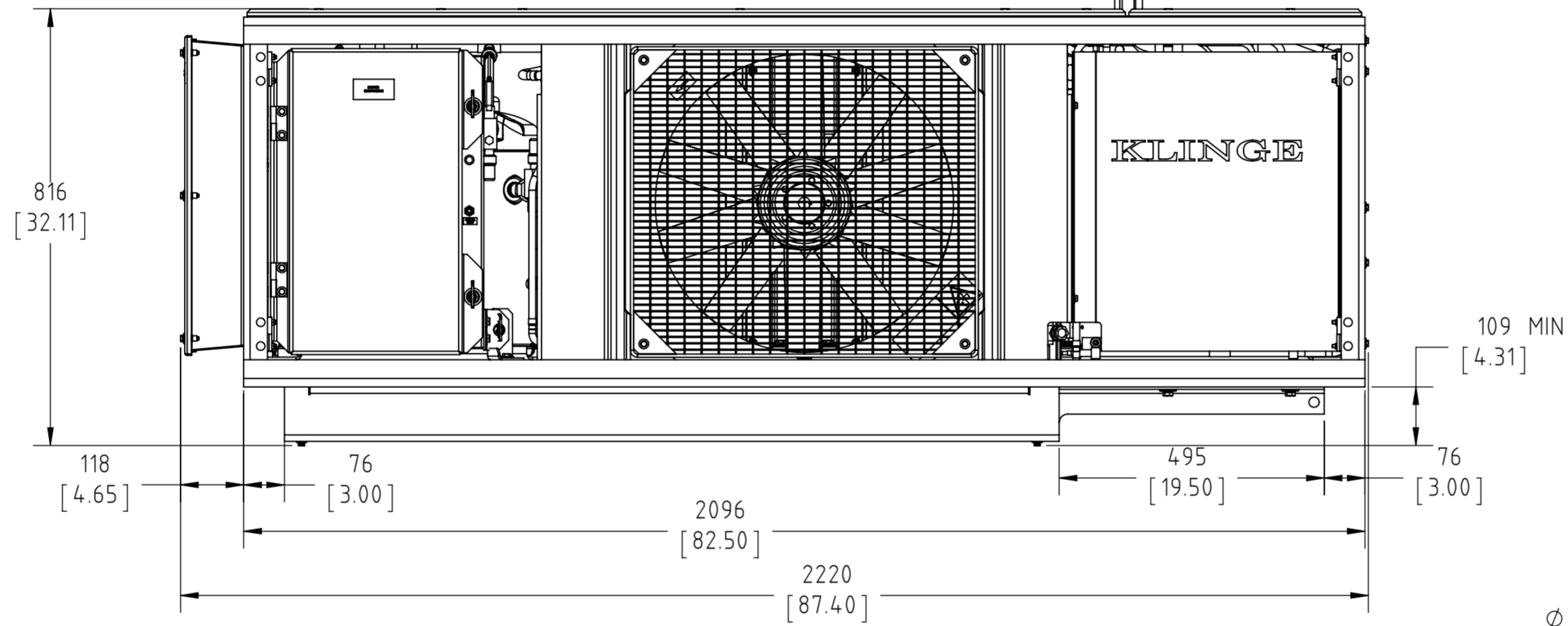
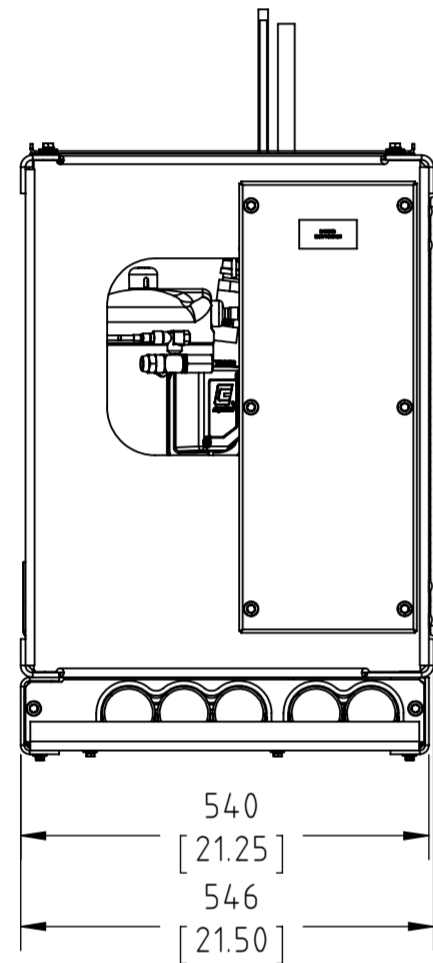
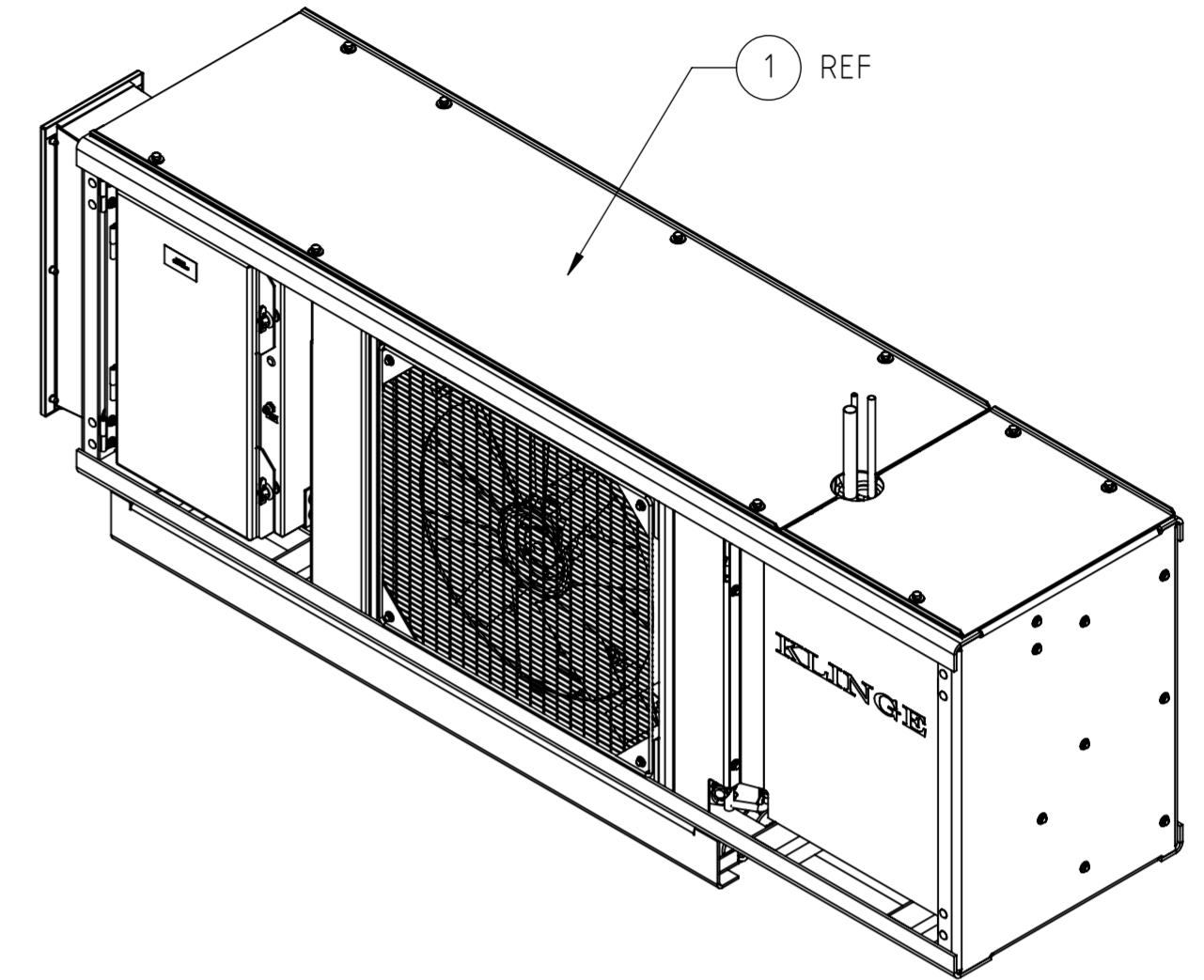
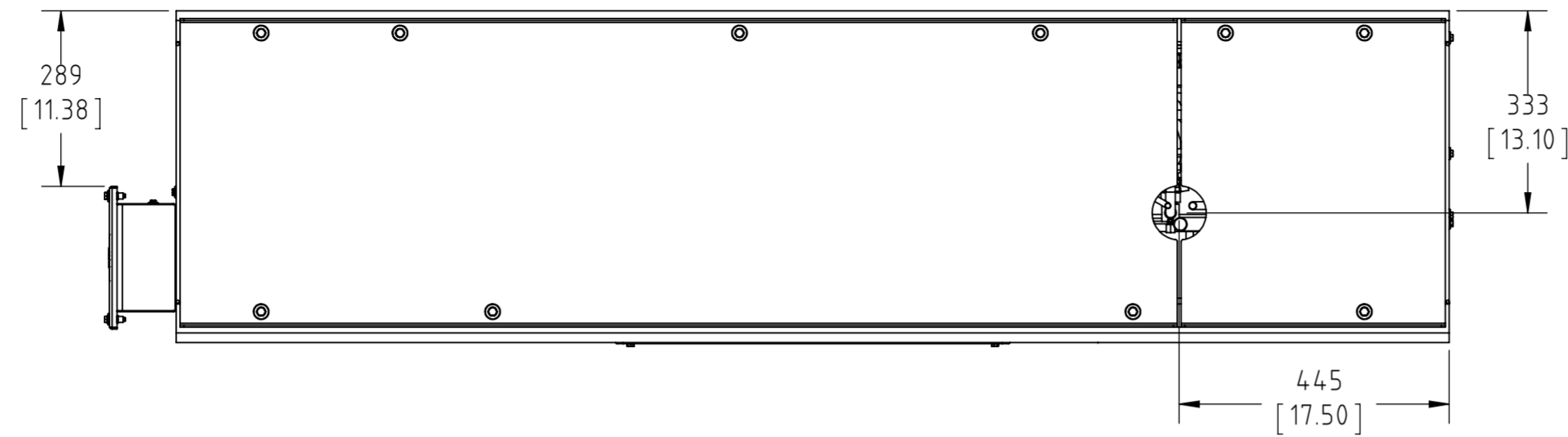
KLINGE CORPORATION 4075 EAST MARKET STREET, YORK, PA 17402 USA	
TITLE UNIT NOSE MOUNT FREEZER SPLIT SYSTEM NMF-371-10S	
CAGE/DCCM OK0L1	DRAWING NO. 460-16606-10
SCALE N/A	SHEET 1 OF 3
SHEET SIZE A2	

460-16606-10

DRAWING NO.
460-16606-10

DO NOT SCALE

USED ON
N/A



EST WEIGHT: 320 KG 700 LBS

ALL PROPRIETARY RIGHTS IN THE SUBJECT MATTER HEREOF ARE RESERVED, AND NO PERMISSION IS GRANTED TO REPRODUCE THIS PRINT, IN WHOLE OR IN PART, OR DISCLOSE ANY OF THE INFORMATION UPON IT TO OTHERS WITHOUT WRITTEN RELEASE BY KLINGE CORP.

MATERIAL NUMBER N/A
DESCR N/A
DIMENSIONS ARE IN MM [INCHES]
TOLERANCES (UNLESS OTHERWISE INDICATED)
LINEAR
X. = +/- 1.0 [OR +/- .040]
X.X = +/- 0.5 [OR +/- .020]
ANGULAR
X. = +/- 2°
X.X = +/- 0.5°



NAME DATE
DRAWN N BOWERS 9/19/13
APPROVED R GAMBER 9/19/13

KLINGE CORPORATION
4075 EAST MARKET STREET, YORK, PA 17402 USA

TITLE
UNIT NOSE MOUNT FREEZER
SPLIT SYSTEM NMF-371-10S

CAGE/DCCM OK0L1	DRAWING NO. 460-16606-10	SHEET SIZE A2
SCALE N/A	SHEET 2 OF 3	REV A

460-16606-10

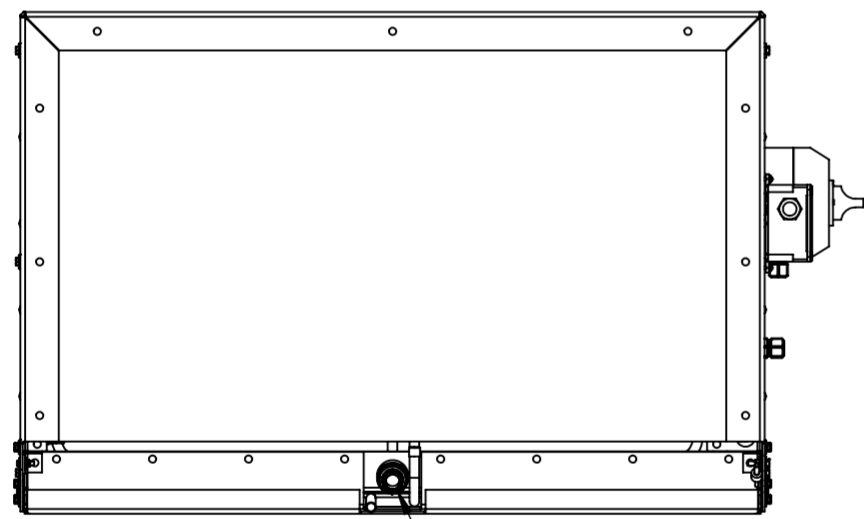
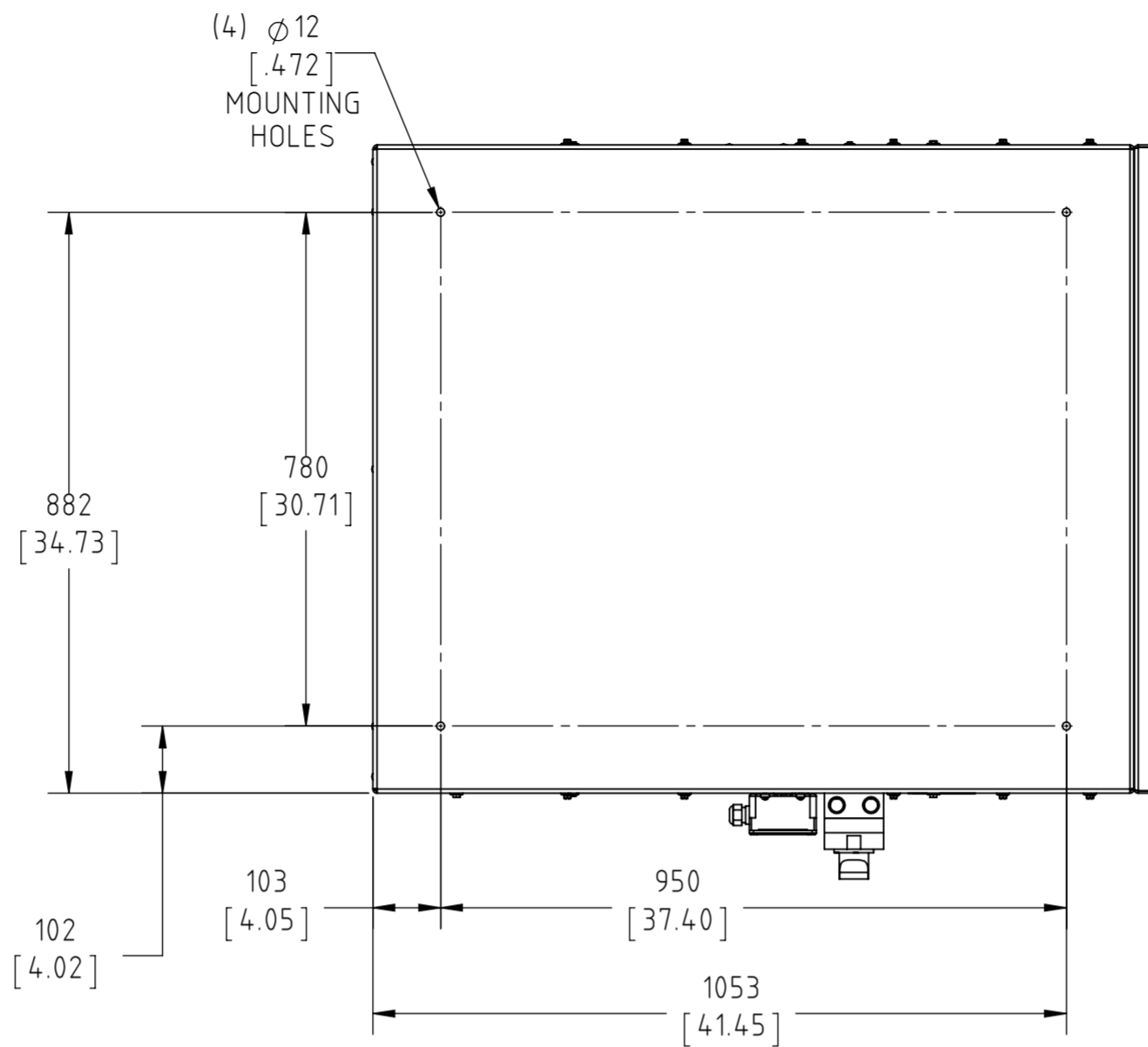
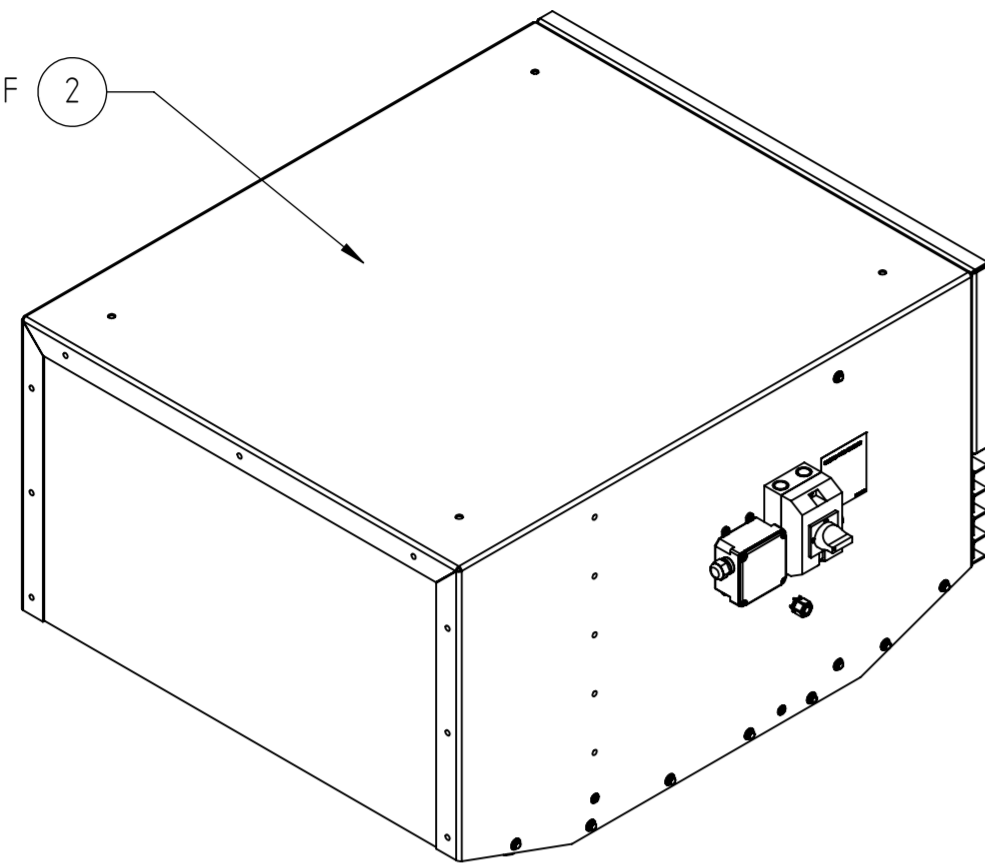
DRAWING NO.
460-16606-10

DO NOT SCALE

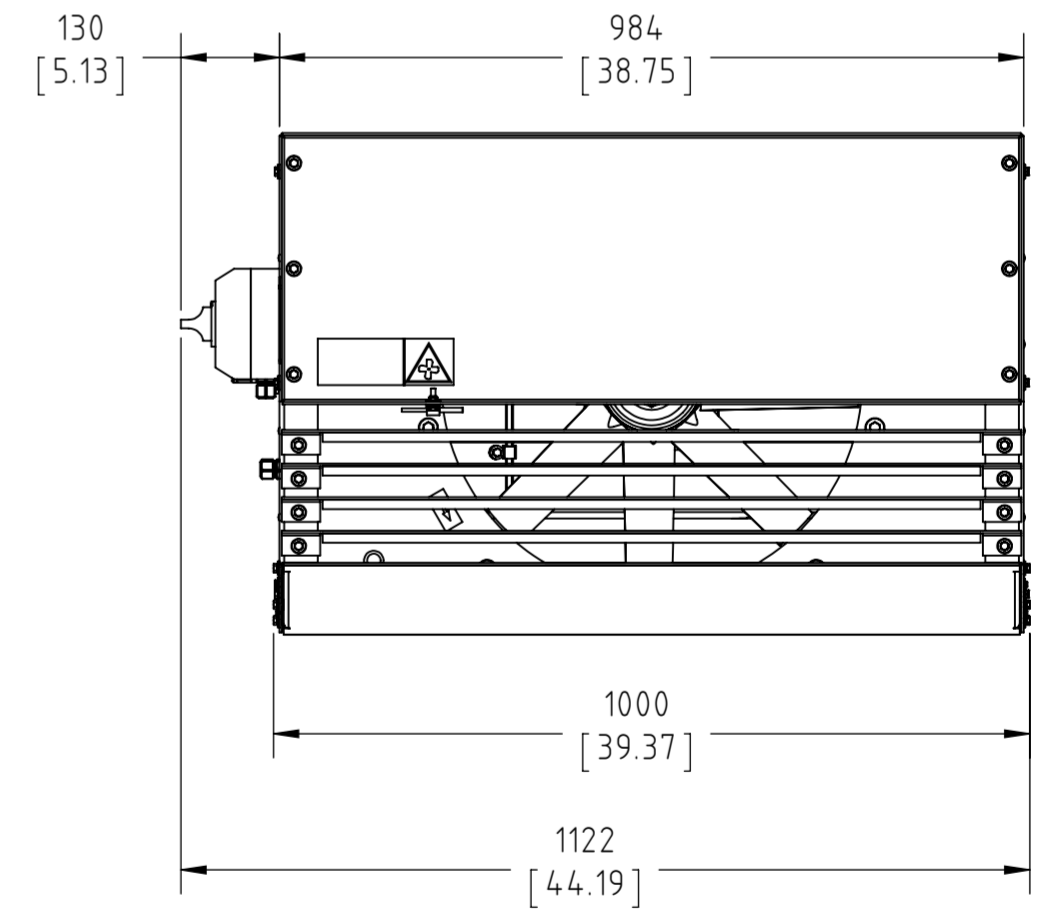
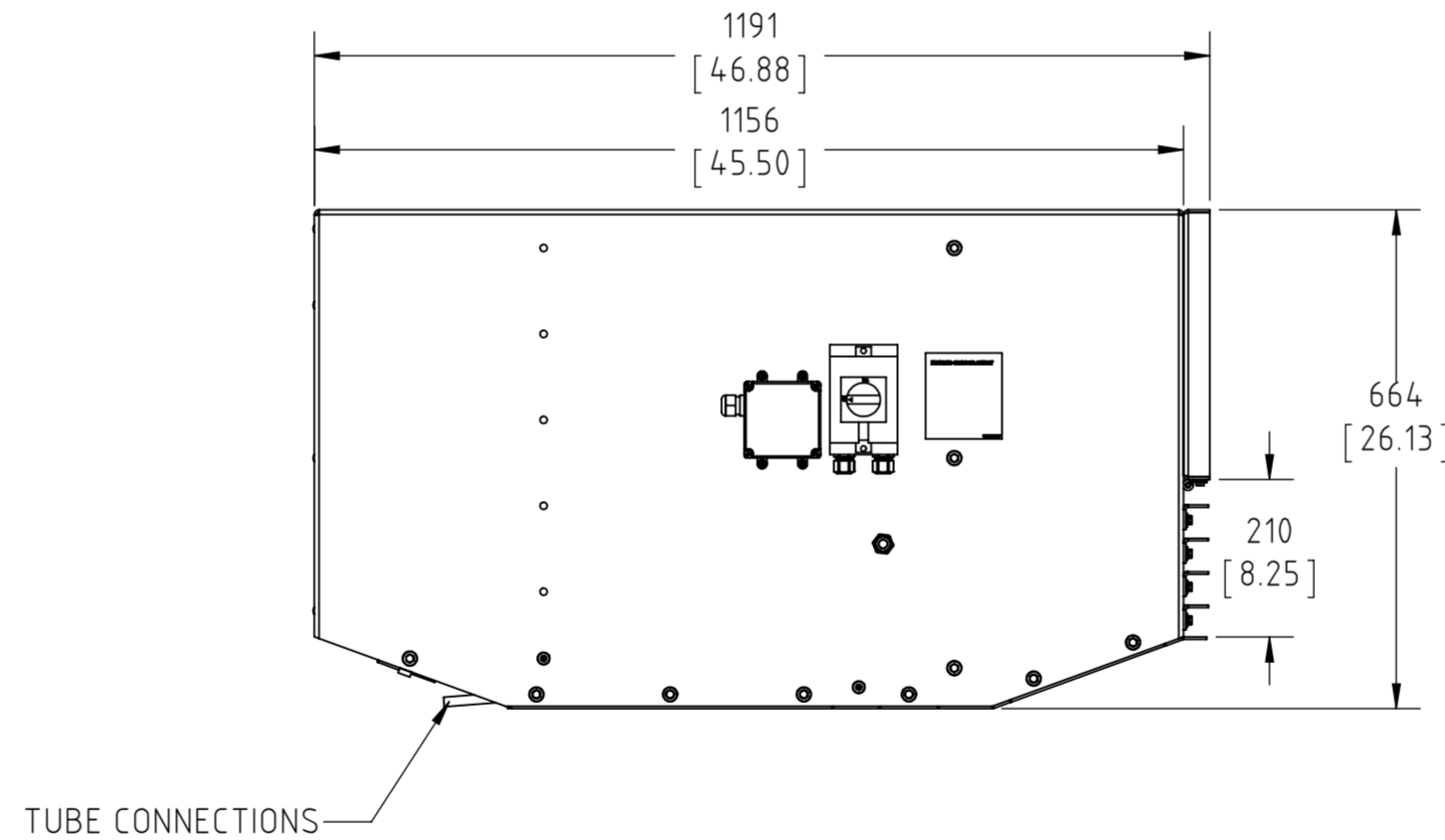
USED ON

N/A

REF 2



DRAIN CONNECTION



EST WEIGHT: 94 KG 207 LBS

ALL PROPRIETARY RIGHTS IN THE SUBJECT MATTER HEREOF ARE RESERVED, AND NO PERMISSION IS GRANTED TO REPRODUCE THIS PRINT, IN WHOLE OR IN PART, OR DISCLOSE ANY OF THE INFORMATION UPON IT TO OTHERS WITHOUT WRITTEN RELEASE BY KLINGE CORP.

MATERIAL NUMBER N/A
DESCR N/A

DIMENSIONS ARE IN MM [INCHES]
TOLERANCES (UNLESS OTHERWISE INDICATED)

LINEAR
X. = +/- 1.0 [OR +/- .040]
X.X = +/- 0.5 [OR +/- .020]

ANGULAR
X. = +/- 2°
X.X = +/- 0.5°



NAME DATE
DRAWN N BOWERS 9/19/13
APPROVED R GAMBER 9/19/13

KLINGE CORPORATION 4075 EAST MARKET STREET, YORK, PA 17402 USA		
TITLE UNIT NOSE MOUNT FREEZER SPLIT SYSTEM NMF-371-10S		
CAGE/DCCM OK0L1	DRAWING NO. 460-16606-10	SHEET SIZE A2
SCALE N/A	SHEET 3 OF 3	REV A

REV	DATE	DESCRIPTION	DRAWN	APPROVED

460-16606-10